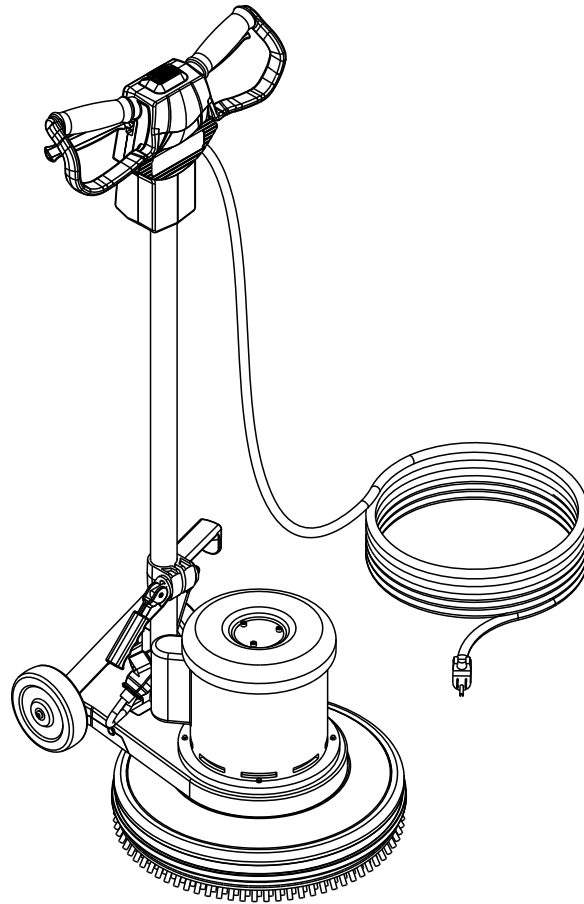


# 20 INCH LOW SPEED FLOOR MACHINE



## PARTS LIST

Model: 32HE08

**Dayton**

**TABLE OF CONTENTS**

<b>DESCRIPTION</b>	<b>PAGE</b>
Optional Accessories.....	3
Assembly Drawing .....	4-5
Wiring Diagram .....	6
Motor Schematic .....	6

**WHEN ORDERING PARTS**

- \* Use the part numbers from the "Ref. No." columns in this parts list.
- \* Specify the model and serial number of the machine.
- \* Use the space below to record the model and serial number for future reference.

Model \_\_\_\_\_ Serial No. \_\_\_\_\_

## OPTIONAL ACCESSORIES

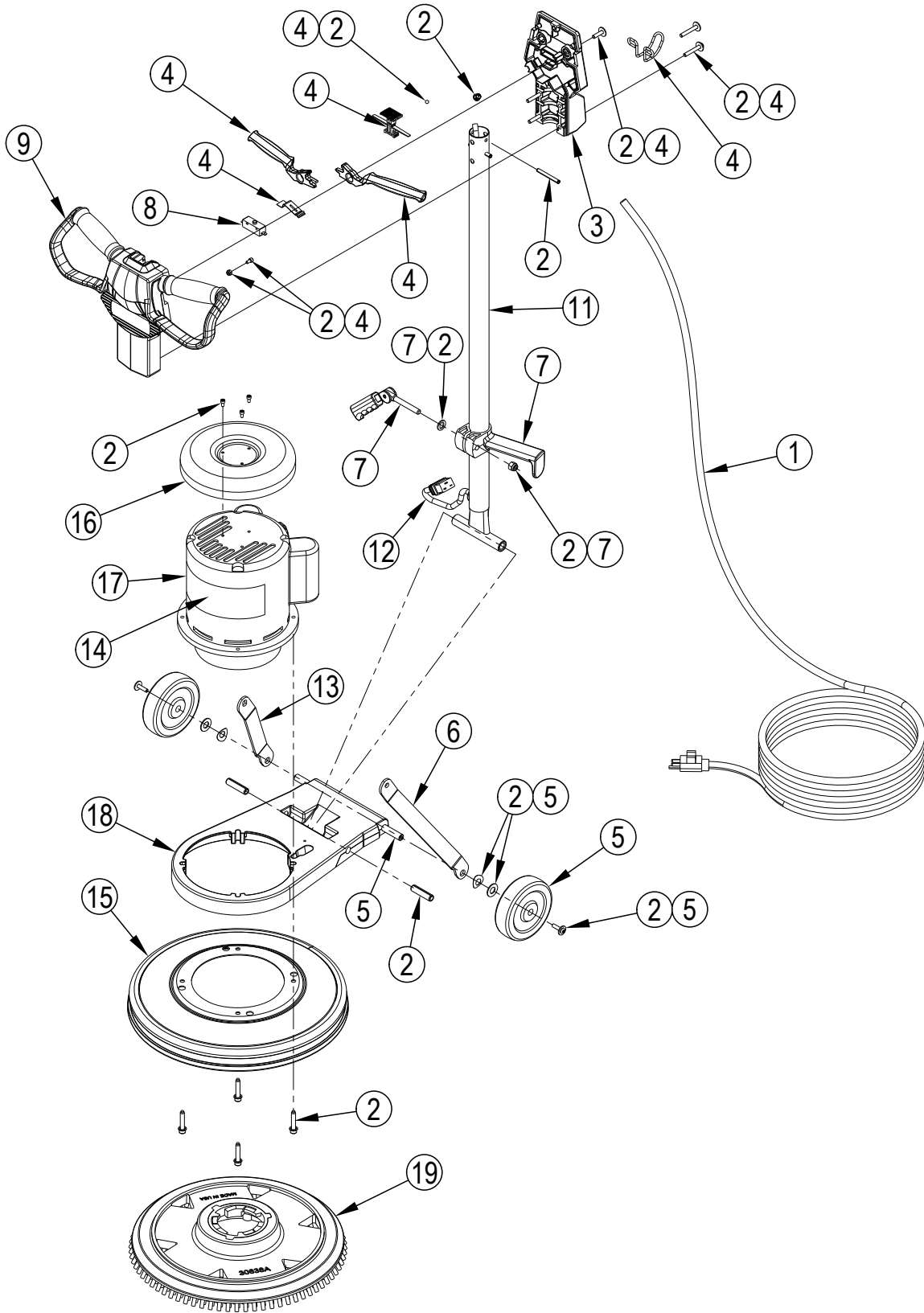
Item	Ref. No.	Qty	Description
	56172313		Splash Guard Assembly <b>(20 Models)</b>
	53853A		Solution Tank Kit <b>(All Models)</b>
	11022A		Weight Kit <b>(HD Models only)</b>
#	56384734		15 Inch Hardwood Tool Assy <b>NOTE 1</b>
#	56384735		Blade Kit-Wood <b>(6 Piece Kit)</b>
#	56384737		Skirt-Dust-20 Inch <b>(20 Models)</b>
#	56384738		Driver-Sand Paper-HD-16 Inch
	56505920		Short-Trim Pad Holder 20 <b>(w/pad centering device)</b>
	56505280		Level-Set Pad Holder 20
	56505925		ProLite™ Brush 20
	56505924		Prolene Brush 20
	56505921		MagnaGrit™ 46 Brush 20
	56505922		DynaGrit™ 80 Brush 20
	56505928		MidLite Grit™ 180 Brush 20
	56505927		MidGrit™ 240 Brush 20
	56505923		AqLite™ 500 Brush 20
	56505926		Union Mix Brush 20
	56505540		Soft-Touch™ Shampoo Brush 20
	56506006		NP-92 Clutch Plate-Nylon Replacement
	56161750		Brown Stripping Pad, 17" <b>(case of 5)</b>
	976054		Pads CS 17 Blue 51 CS=5EA <b>(case of 5)</b>
	56161738		Blue Scrubbing Pad, 20" <b>(case of 5)</b>
	56505019		Pad Centering Unit <b>(includes 56393567) (for use w/56505910 and 56505920)</b>
	56393567		"Big Mouth" Pad Retainer <b>(for use w/56505910 and 56505920)</b>

# = Revised or new since last update

**NOTE:** Pad Holders and Brushes come complete with Industry Standard NP-92 Clutch Plate.

**NOTE 1:** Hardwood Tool Assembly 56384734 includes; Diamabrush Hardwood Prep Tool, Plastic Riser & Universal Clutch Plate.

ASSEMBLY DRAWING



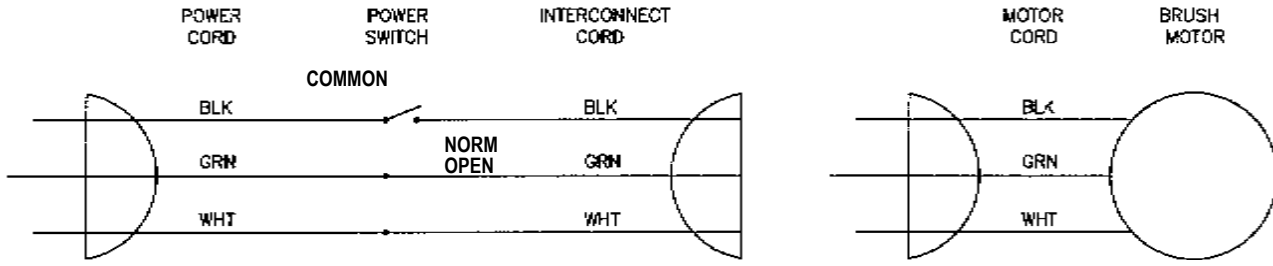
## ASSEMBLY DRAWING

Item	Ref. No.	Qty	Description
1	40760A	1	Cord, Power
2	11014A	1	Hardware Kit
3	30644A	1	Handle, Back
4	11016A	1	Trigger Kit
5	11018A	2	Wheel Kit
6	61740A	1	Link Arm, Left
7	11019A	1	Handle Clamp Kit
8	40949A	1	Switch SPSTNO 25A 125VAC ULCSA
9	30643A	1	Handle, Front
11	61373A	1	Handle Tube
12	40774A	1	Cord, Interconnect
13	61741A	1	Link Arm, Right
14	VF41079DY	1	Decal-Dayton
15	11007A	1	Housing Assembly
	61714A	1	Housing
	50784A	1	Bumper
16	61716A	1	Cover, Drip
17	40763A	1	Moto
[ ]	40694A	1	Start Capacitor (supplied with motor)
[ ]	53191A	1	Run Capacitor (supplied with motor)
[ ]	53190A	1	Start Switch (supplied with motor)
[ ]	53646A	1	Gearbox
[ ]	56380165	1	Coupling (supplied with gearbox)
18	21088A	1	Mainframe
19	56505920	1	Pad Holder-20 NP92 Clutch

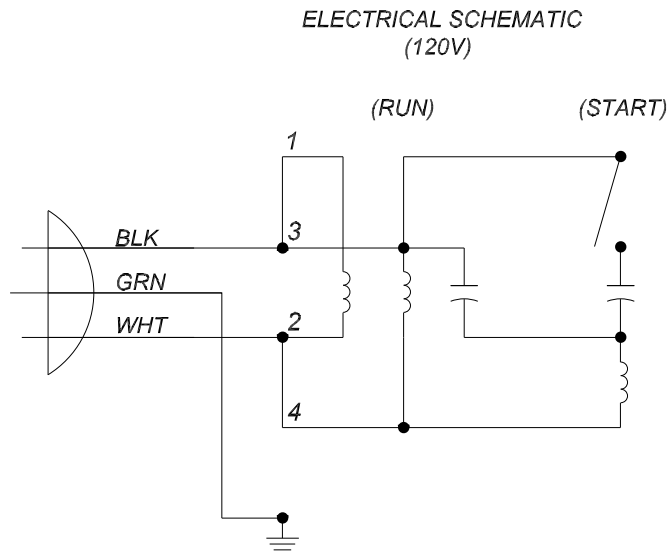
[ ] = Not Shown

\* = Optional, Not Included

### WIRING DIAGRAM



### MOTOR SCHEMATIC





**Dayton**<sup>®</sup>  
100 Grainger Parkway  
Lake Forest, IL 60045  
1-800-323-0620  
© 2016